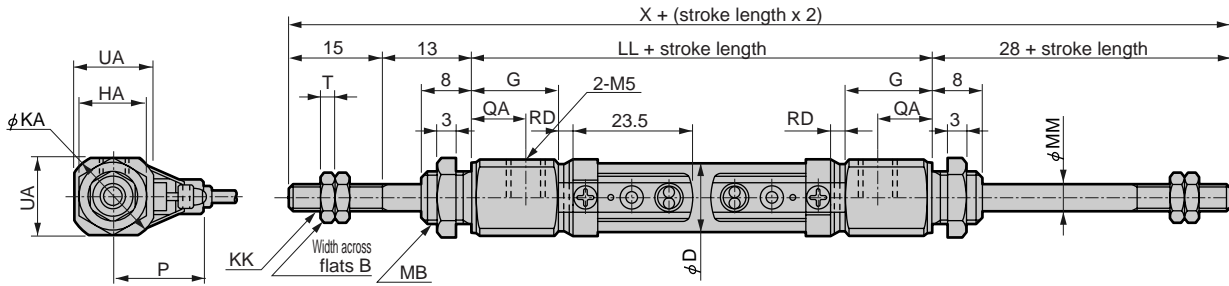


Dimensions

● SCPD2-D(L) basic type (00)



Note 2: Port size M3 type is available for φ 6 cylinder.

Note 3: The φ 6 and φ 10 port thread depth is 3.8 mm. When using a joint, prepare a joint with a thread length of 3.8 mm or less.

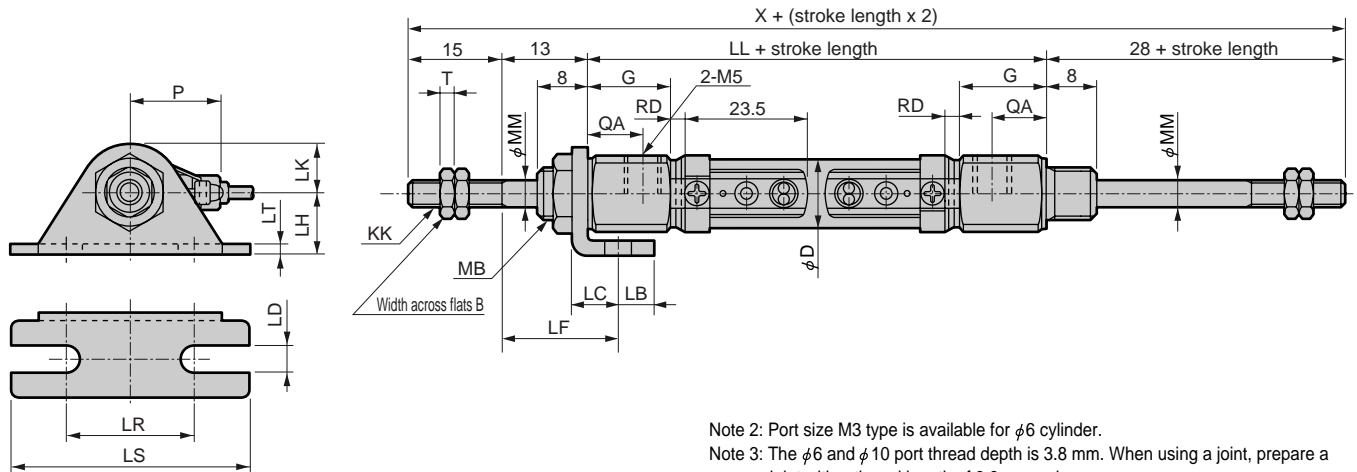
Note 4: Refer to page 78 for dimensions drawings of accessories.

Note 1: Without switch dimensions are also same. (Magnet is not integrated.)

Symbol	Basic type (00) basic dimensions												
Bore size (mm)	B	D	G	HA	KA	KK	LL	MB	MM	QA	T	UA	X
φ6	5.5	6.8	17	8	13.5	M3	56	M6	3	13	1.8	11	112
φ10	7	11	12.5	11	14.5	M4	54.5	M8 x 1.0	4	8	2.4	12	110.5
φ16	8	17.4	13	14	21.5	M5	55	M10 x 1.0	5	8.5	3.2	18	111

Symbol	With switch	
Bore size (mm)	RD	P
φ6	1.5	14
φ10	4.5	16
φ16	4.5	19

● Single axial foot type (LS)



Note 2: Port size M3 type is available for φ 6 cylinder.

Note 3: The φ 6 and φ 10 port thread depth is 3.8 mm. When using a joint, prepare a joint with a thread length of 3.8 mm or less.

Note 4: Refer to page 78 for dimensions drawings of accessories.

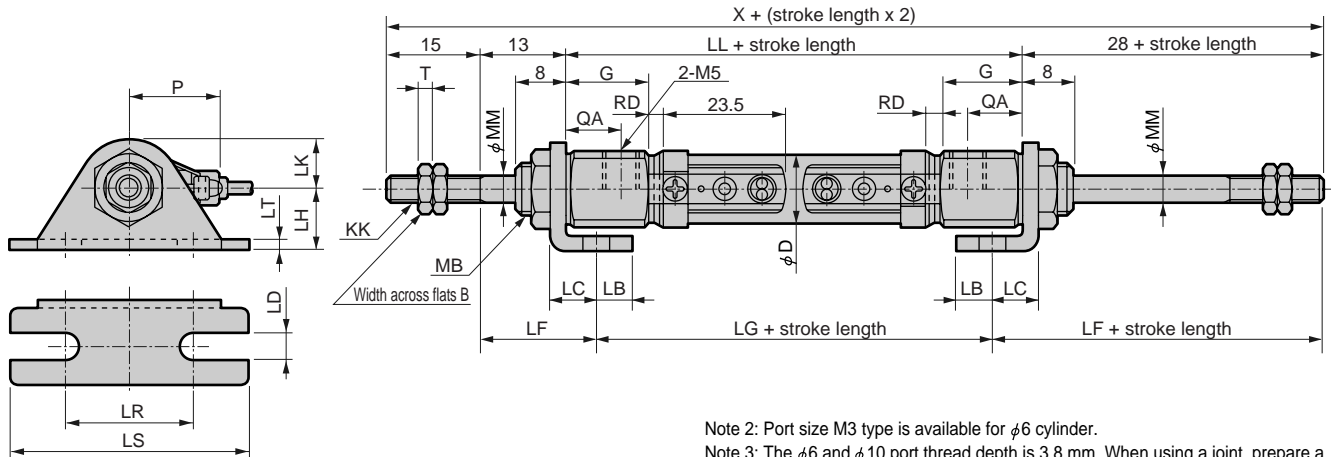
Note 1: Without switch dimensions are also same. (Magnet is not integrated.)

Symbol	Single axial foot type (LS) basic dimensions										Installation dimensions			
Bore size (mm)	B	D	G	KK	LL	MB	MM	QA	T	X	LB	LC	LD	LF
φ6	5.5	6.8	17	M3	56	M6	3	13	1.8	112	5	7	4.2	18.4
φ10	7	11	12.5	M4	54.5	M8 x 1.0	4	8	2.4	110.5	5	7	4.2	18.4
φ16	8	17.4	13	M5	55	M10 x 1.0	5	8.5	3.2	111	6	9	5.2	19.7

Symbol	With switch						
Bore size (mm)	LH	LK	LR	LS	LT	RD	P
φ6	9	7	22	32	1.6	1.5	14
φ10	9	7	22	32	1.6	4.5	16
φ16	14	10	29	42	2.3	4.5	19

Dimensions

● Both sides axial foot type (LB)



Note 1: Without switch dimensions are also same. (Magnet is not integrated.)

Note 2: Port size M3 type is available for φ6 cylinder.

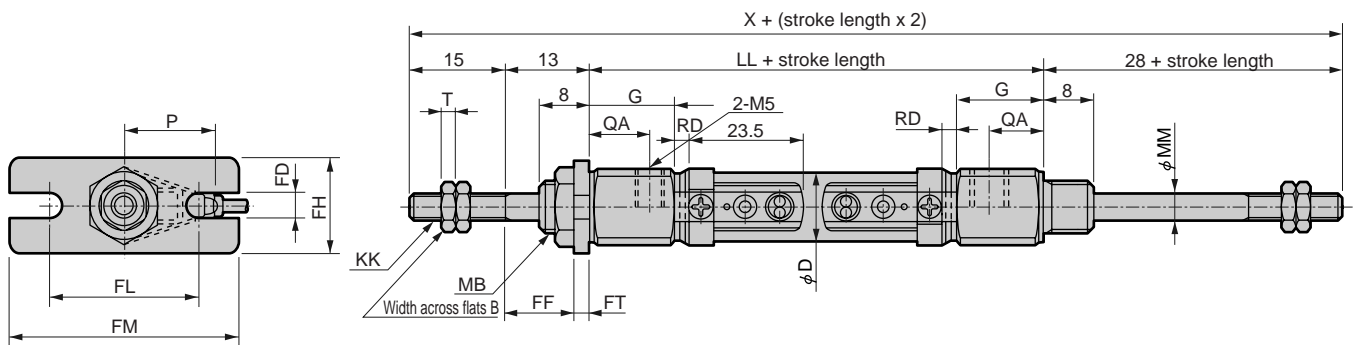
Note 3: The φ6 and φ10 port thread depth is 3.8 mm. When using a joint, prepare a joint with a thread length of 3.8 mm or less.

Note 4: Refer to page 78 for dimensions drawings of accessories.

Symbol	Both sides axial foot type (LB) basic dimensions										Installation dimensions				
	B	D	G	KK	LL	MB	MM	QA	T	X	LB	LC	LD	LF	LH
φ6	5.5	6.8	17	M3	56	M6	3	13	1.8	112	5	7	4.2	18.4	9
φ10	7	11	12.5	M4	54.5	M8 x 1.0	4	8	2.4	110.5	5	7	4.2	18.4	9
φ16	8	17.4	13	M5	55	M10 x 1.0	5	8.5	3.5	111	6	9	5.2	19.7	14

Symbol	With switch						
	LG	LK	LR	LS	LT	RD	P
φ6	45.2	7	22	32	1.6	1.5	14
φ10	43.7	7	22	32	1.6	4.5	16
φ16	41.6	10	29	42	2.3	4.5	19

● Rod side flange type (FA)



Note 1: Without switch dimensions are also same. (Magnet is not integrated.)

Note 2: Port size M3 type is available for φ6 cylinder.

Note 3: The φ6 and φ10 port thread depth is 3.8 mm. When using a joint, prepare a joint with a thread length of 3.8 mm or less.

Note 4: Refer to page 78 for dimensions drawings of accessories.

Symbol	Rod side flange type (FA) basic dimensions										Installation dimensions				
	B	D	G	KK	LL	MB	MM	QA	T	X	FD	FF	FH	FL	FM
φ6	5.5	6.8	17	M3	56	M6	3	13	1.8	112	4.2	11.4	14	22	32
φ10	7	11	12.5	M4	54.5	M8 x 1.0	4	8	2.4	110.5	4.2	11.4	14	22	32
φ16	8	17.4	13	M5	55	M10 x 1.0	5	8.5	3.2	111	5.2	10.7	20	29	42

Symbol	With switch		
	FT	RD	P
φ6	1.6	1.5	14
φ10	1.6	4.5	16
φ16	2.3	4.5	19

SCP*2
CMK2
CMA2
SCM
SCG
SCA2
SCS
CKV2
CA/OV2
SSD
CAT
MDC2
MVC
SMD2
MSD*
FC*
STK
ULK*
JSK/M2
JSG
JSC3
USSD
USC
JSB3
LMB
STG
STS/L
LCS
LCG
LCM
LCT
LCY
STR2
UCA2
HCM
HCA
SRL2
SRG
SRM
SRT
MRL2
MRG2
SM-25
CAC3
UCAC
RCC2
MFC
SHC
GLC
Ending

Pencil shaped cylinder
Standard type