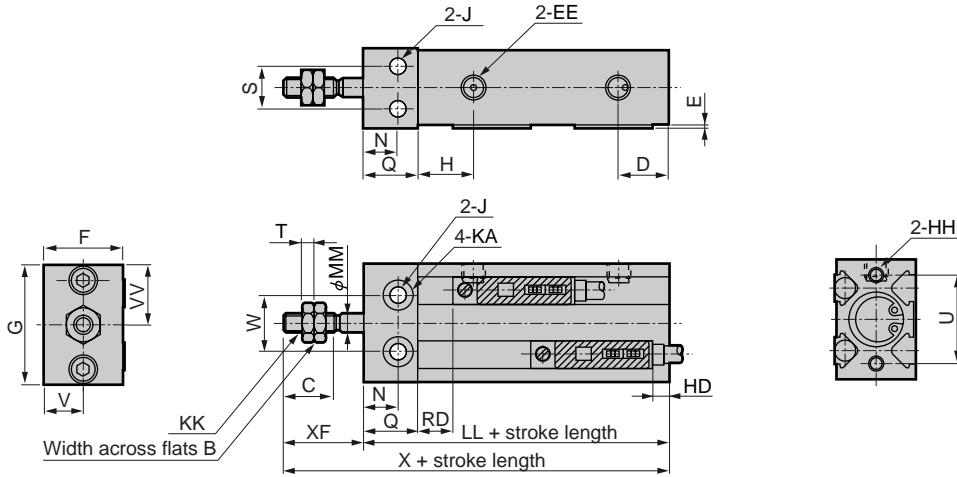


Dimensions

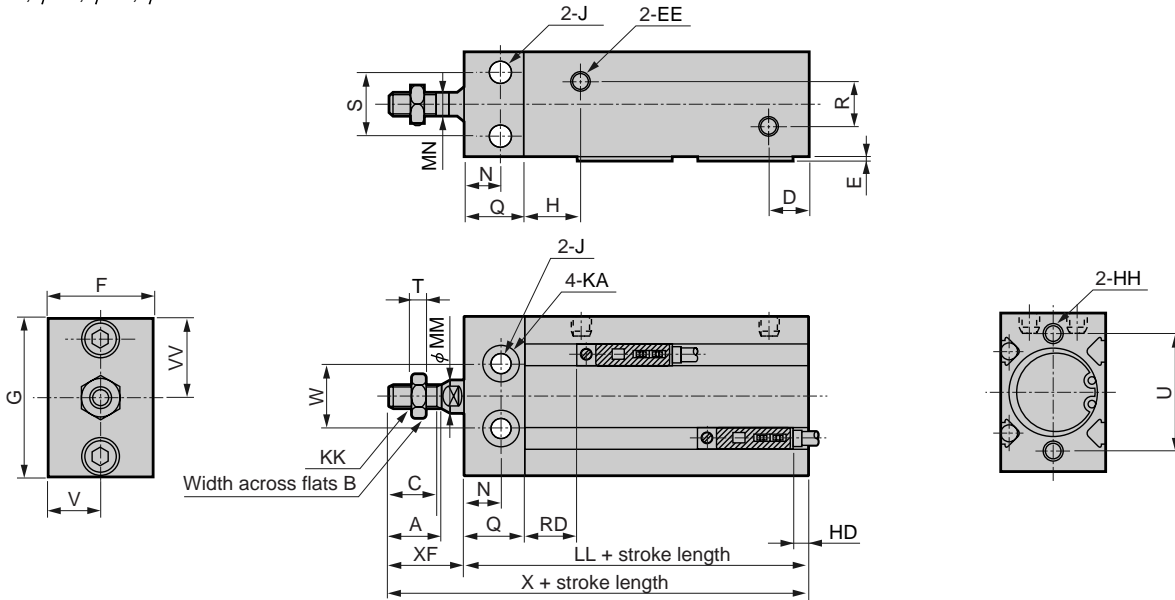


● Double acting/with switch, rod end mounting type SMD2-(L)-DA

φ6, φ10



φ16, φ20, φ25, φ32



Symbol	A	B	C	D	EE	F	G	H	HH	J	KA	KK	MM	MN	N	Q	R	S	T	U	
Bore size (mm)																					
φ6	-	5.5	7	10	M5	13.4	22.4	11	M2.5 depth 5	3.4 (penetrating)	5.9 spot face depth 5.3	M3	3	-	7	11	-	7	1.8	17	
φ10	-	7	10	10	M5	15.4	24.4	11	M3 depth 5	3.4 (penetrating)	5.9 spot face depth 5.5	M4	4	-	7	11	-	9	2.4	18	
φ16	12.5	8	11	10	M5	20.4	32.4	10	M4 depth 6	4.5 (penetrating)	7.5 spot face depth 7	M5	6	5	7	15	5	12	3.2	24	
φ20	13.5	10	12	10	M5	26.4	40.4	14	M5 depth 8	5.5 (penetrating)	9 spot face depth 8.5	M6	8	6	9	15	12	16	3.6	30	
φ25	17.5	13	15.5	10	M5	32.4	50.4	14	M5 depth 8	5.5 (penetrating)	9 spot face depth 9.5	M8	10	8	10	15	13	20	5	38	
φ32	21	17	19.5	11	Rc1/8	40.4	62.4	21	M6 depth 9	6.6 (penetrating)	10.5 spot face depth 12	M10 x 1.25	12	10	11	20	17	24	6	48	
Symbol	V	VV	W	XF	LL		X		With switch				K0H/K5H		K2H/K3H		K0V/K5V		K2V/K3V		
Bore size (mm)					W/o switch	W/ switch	W/o switch	W/ switch	E	HD		RD		HD		RD		HD		RD	
φ6	6.7	11.2	10	13	38	38	51	51	1.0	-2.0	5.0	-3.0	6.0	-5.0	5.0	-6.0	6.0				
φ10	7.7	12.2	11	16	41	41	57	57	1.0	0.5	5.5	-1.0	7.0	-2.5	5.5	-4.0	7.0				
φ16	10.2	16.2	14	16	40	50	56	66	0.5	1.5	10.0	0.5	11.0	-1.5	10.0	-2.5	11.0				
φ20	13.2	20.2	16	19	46	56	65	75	0.5	5.5	12.5	4.5	13.5	2.5	12.5	1.5	13.5				
φ25	16.2	25.2	20	23	50	60	73	83	0.5	8.5	12.5	7.5	13.5	5.5	12.5	4.5	13.5				
φ32	20.2	31.2	24	27	62	72	89	99	0.5	9.0	19.0	8.0	20.0	6.0	19.0	5.0	20.0				

Note 1: HD and RD dimensions for 5, 10 stroke will differ from these due to manufacturing.

Note 2: Negative dimension shows dimensions of projecting section of switch from main body.

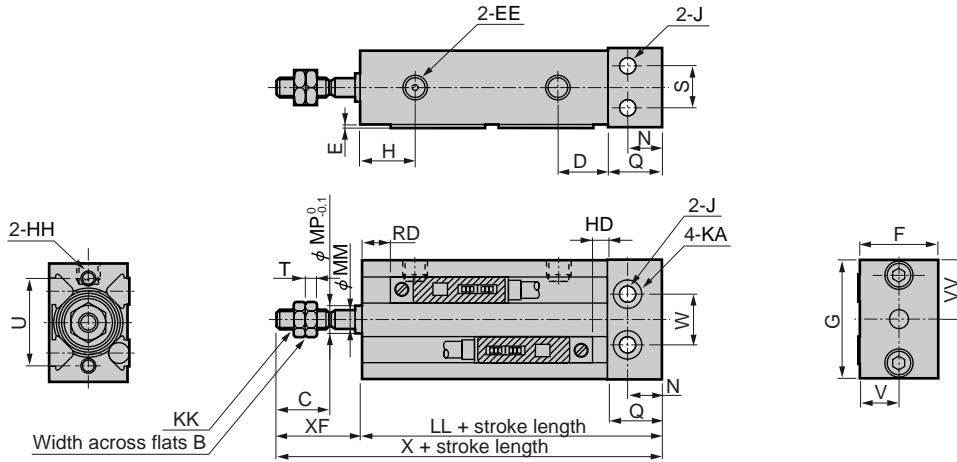
Note 3: Refer to page 1036 for HD, RD and dimensions of projecting section of 2 color indicator type preventive maintenance output switch.

Dimensions

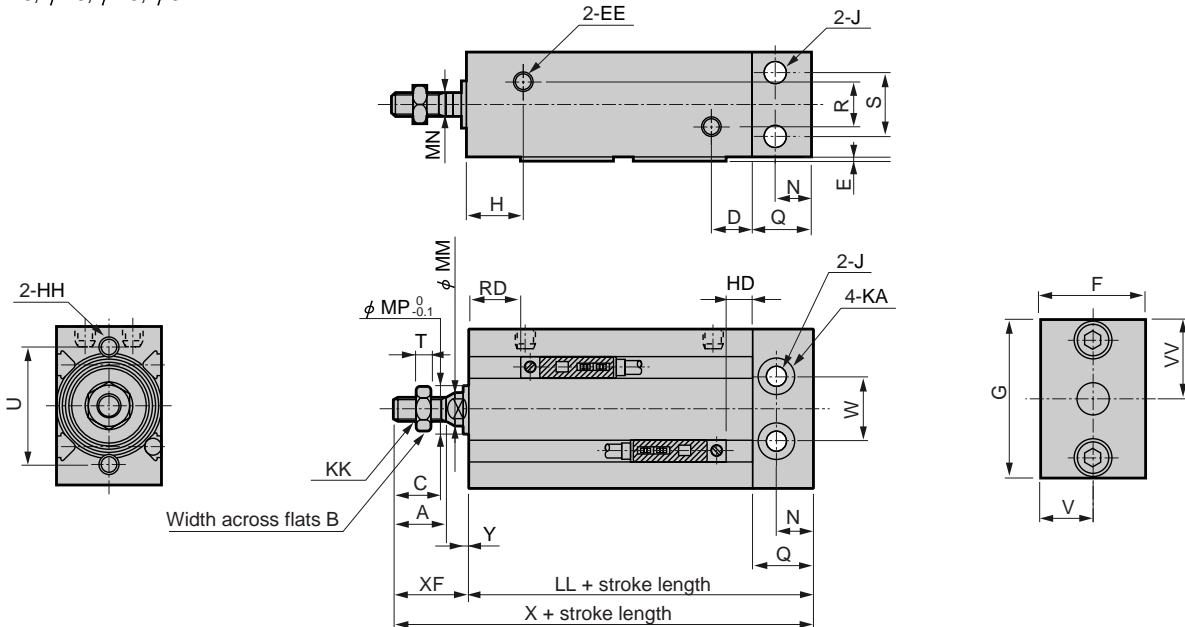


● Double acting/with switch, head end mounting type SMD2-(L)-DB

φ6, φ10



φ16, φ20, φ25, φ32



Symbol	A	B	C	D	EE	F	G	H	HH	J	KA	KK	MM	MN	MP	N	Q	R	S	T	U
φ6	-	5.5	7	10	M5	13.4	22.4	11	M2.5 depth 5	3.4 (penetrating)	5.9 spot face depth 5.3	M3	3	-	5	7	11	-	7	1.8	17
φ10	-	7	10	10	M5	15.4	24.4	11	M3 depth 5	3.4 (penetrating)	5.9 spot face depth 5.5	M4	4	-	6	7	11	-	9	2.4	18
φ16	12.5	8	11	10	M5	20.4	32.4	10	M4 depth 6	4.5 (penetrating)	7.5 spot face depth 7	M5	6	5	8	7	15	5	12	3.2	24
φ20	13.5	10	12	10	M5	26.4	40.4	14	M5 depth 8	5.5 (penetrating)	9 spot face depth 8.5	M6	8	6	12	9	15	12	16	3.6	30
φ25	17.5	13	15.5	10	M5	32.4	50.4	14	M5 depth 8	5.5 (penetrating)	9 spot face depth 9.5	M8	10	8	14	10	15	13	20	5	38
φ32	21	17	19.5	11	Rc1/8	40.4	62.4	21	M6 depth 9	6.6 (penetrating)	10.5 spot face depth 12	M10 x 1.25	12	10	16	11	20	17	24	6	48

Symbol	V	VV	W	XF	Y	LL		X		With switch								
						W/o switch	W/ switch	W/o switch	W/ switch	K0H/K5H		K2H/K3H		K0V/K5V		K2V/K3V		
						E	HD	RD	HD	RD	HD	RD	HD	RD				
φ6	6.7	11.2	10	14	1	38	38	52	52	1.0	1.5	5.0	2.5	6.0	1.5	5.0	2.5	6.0
φ10	7.7	12.2	11	17	1	41	41	58	58	1.0	3.5	5.5	4.5	7.0	3.5	5.5	4.5	7.0
φ16	10.2	16.2	14	16	1	40	50	56	66	0.5	5.0	10.0	6.0	11.0	5.0	10.0	6.0	11.0
φ20	13.2	20.2	16	19	1.5	46	56	65	75	0.5	8.5	12.5	9.5	13.5	8.5	12.5	9.5	13.5
φ25	16.2	25.2	20	23	2	50	60	73	83	0.5	11.5	12.5	12.5	13.5	11.5	12.5	12.5	13.5
φ32	20.2	31.2	24	27	2	62	72	89	99	0.5	12.0	19.0	13.5	20.0	12.0	19.0	13.5	20.0

Note 1: HD and RD dimensions for 5, 10 stroke will differ from these due to manufacturing.
 Note 2: Negative dimension indicates dimensions of projecting section of switch from main body.
 Note 3: For 5, 10 mm stroke cylinders, use K*V switch because K*H switch cannot be installed.
 Note 4: For 5 mm stroke cylinder, use K*V switch because K*H switch cannot be installed.

Note 5: Refer to page 1037 for HD/RD and dimensions of projecting section of 2 color indicator type preventive maintenance output switch.

SCP*2
 CMK2
 CMA2
 SCM
 SCG
 SCA2
 SCS
 CKV2
 CA/OV2
 SSD
 CAT
 MDC2
 MVC
SMD2
 MSD*
 FC*
 STK
 ULK*
 JSK/M2
 JSG
 JSC3
 USSD
 USC
 JSB3
 LMB
 STG
 STS/L
 LCS
 LCG
 LCM
 LCT
 LCY
 STR2
 UCA2
 HCM
 HCA
 SRL2
 SRG
 SRM
 SRT
 MRL2
 MRG2
 SM-25
 CAC3
 UCAC
 RCC2
 MFC
 SHC
 GLC

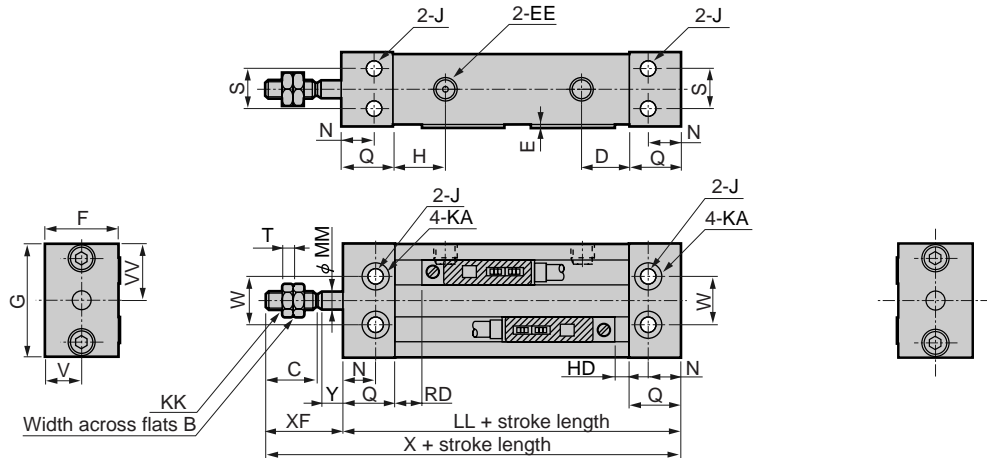
Ending
 Compact cylinder
 Space saving structure

Dimensions

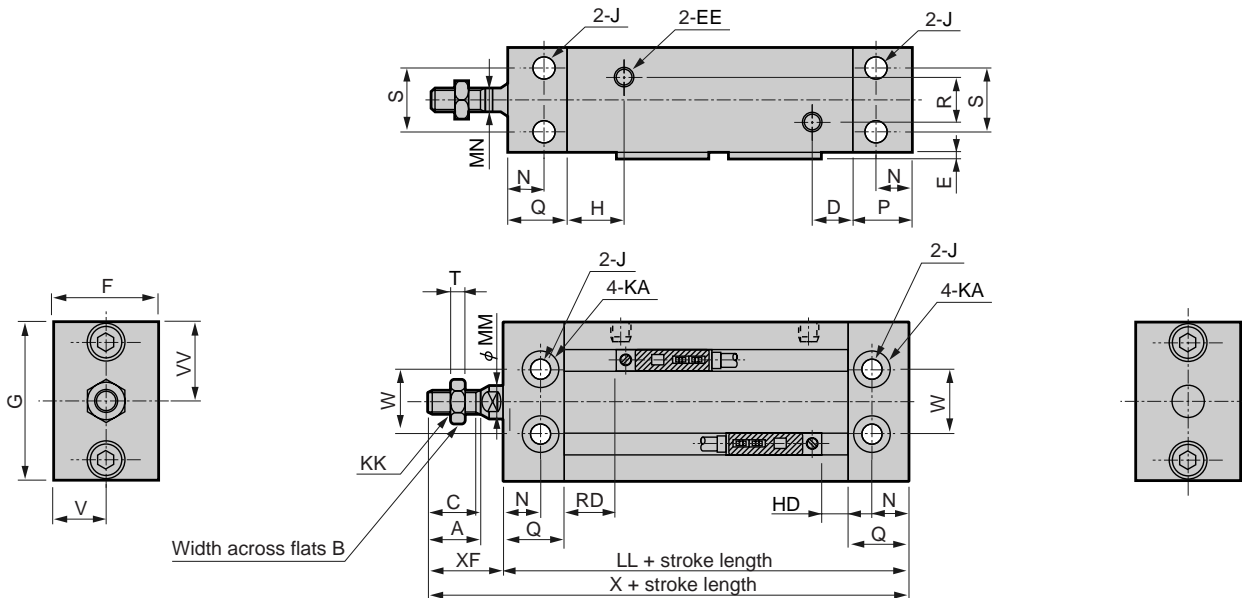


● Double acting/with switch, high rigid mounting type SMD2-(L)-DC

φ 6, φ 10



φ 16, φ 20, φ 25, φ 32



Symbol	A	B	C	D	EE	F	G	H	HH	J	KA	KK	MM	MN	N	Q	R	S	T	U
Symbol																				
Bore size (mm)																				
φ6	-	5.5	7	10	M5	13.4	22.4	11	M2.5 depth 5	3.4 (penetrating)	5.9 spot face depth 5.3	M3	3	-	7	11	-	7	1.8	17
φ10	-	7	10	10	M5	15.4	24.4	11	M3 depth 5	3.4 (penetrating)	5.9 spot face depth 5.5	M4	4	-	7	11	-	9	2.4	18
φ16	12.5	8	11	10	M5	20.4	32.4	10	M4 depth 6	4.5 (penetrating)	7.5 spot face depth 7	M5	6	5	7	15	5	12	3.2	24
φ20	13.5	10	12	10	M5	26.4	40.4	14	M5 depth 8	5.5 (penetrating)	9 spot face depth 8.5	M6	8	6	9	15	12	16	3.6	30
φ25	17.5	13	15.5	10	M5	32.4	50.4	14	M5 depth 8	5.5 (penetrating)	9 spot face depth 9.5	M8	10	8	10	15	13	20	5	38
φ32	21	17	19.5	11	Rc1/8	40.4	62.4	21	M6 depth 9	6.6 (penetrating)	10.5 spot face depth 12	M10 x 1.25	12	10	11	20	17	24	6	48

Symbol	V	VV	W	XF	LL				X				With switch								
					W/o switch		W/ switch		W/o switch		W/ switch		E	K0H/K5H		K2H/K3H		K0V/K5V		K2V/K3V	
					HD	RD	HD	RD	HD	RD	HD	RD		HD	RD	HD	RD				
φ6	6.7	11.2	10	13	49	49	62	62	1.0	1.5	5.0	2.5	6.0	1.5	5.0	2.5	6.0				
φ10	7.7	12.2	11	16	52	52	68	68	1.0	3.5	5.5	4.5	7.0	3.5	5.5	4.5	7.0				
φ16	10.2	16.2	14	16	55	65	71	81	0.5	5.0	10.0	6.0	11.0	5.0	10.0	6.0	11.0				
φ20	13.2	20.2	16	19	61	71	80	90	0.5	8.5	12.5	9.5	13.5	8.5	12.5	9.5	13.5				
φ25	16.2	25.2	20	23	65	75	88	98	0.5	11.5	12.5	12.5	13.5	11.5	12.5	12.5	13.5				
φ32	20.2	31.2	24	27	82	92	109	119	0.5	12.0	19.0	13.5	20.0	12.0	19.0	13.5	20.0				

Note 1: HD and RD dimensions for 5, 10 stroke will differ from these due to manufacturing.
 Note 2: Negative dimension indicates dimensions of projecting section of switch from main body.
 Note 3: For 5, 10 mm stroke cylinders, use K*V switch because K*H switch cannot be installed.
 Note 4: For 5 mm stroke cylinder, use K*V switch because K*H switch cannot be installed.

Note 5: Refer to page 1038 for HD/RD and dimensions of projecting section of 2 color indicator type preventive maintenance output switch.