

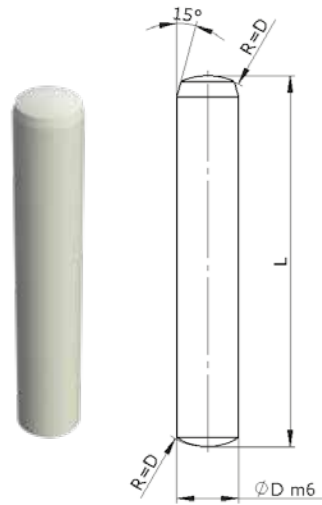
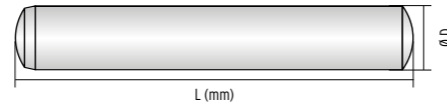
Dowel pins / cylindrical pins for fixture construction

made of Z101 high-performance ceramic

Pull dowel pins / cylindrical pins

made of Z101 high-performance ceramic

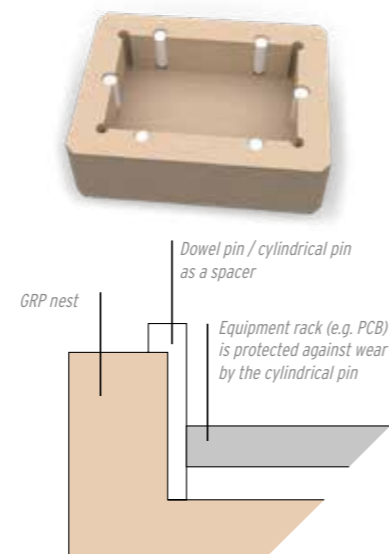
Tolerance m6
as per DIN 6325



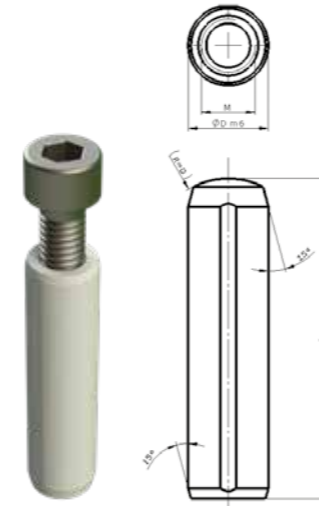
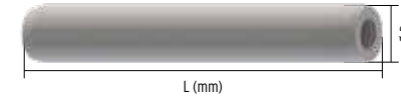
Ø mm	L mm	PU	Item No.
2.0	6	25	8221-ZK-13019
	8	25	8221-ZK-13020
	10	25	8221-ZK-13021
	12	25	8221-ZK-13022
	14	25	8221-ZK-13023
3.0	10	25	8221-ZK-13037
	12	25	8221-ZK-13038
	14	25	8221-ZK-13039
	18	25	8221-ZK-13041
	20	25	8221-ZK-13042
4.0	28	25	8221-ZK-13044
	32	25	8221-ZK-13045
	10	25	8221-ZK-13046
	12	25	8221-ZK-13047
	16	25	8221-ZK-13049
5.0	18	25	8221-ZK-13050
	20	25	8221-ZK-13051
	28	25	8221-ZK-13053
	32	25	8221-ZK-13054
	16	25	8221-ZK-13059
6.0	18	25	8221-ZK-13060
	20	25	8221-ZK-13061
	24	25	8221-ZK-13062
	28	25	8221-ZK-13063
	32	25	8221-ZK-13064
6.0	36	25	8221-ZK-13065
	14	25	8221-ZK-13069
	18	25	8221-ZK-13071
	20	25	8221-ZK-13072
	24	25	8221-ZK-13073
6.0	28	25	8221-ZK-13074
	32	25	8221-ZK-13075
	36	25	8221-ZK-13076
	40	25	8221-ZK-13077
	50	25	8221-ZK-13079
60	25	8221-ZK-13081	

Ø mm	L mm	PU	Item No.
8.0	18	25	8221-ZK-13082
	20	25	8221-ZK-13083
	24	25	8221-ZK-13084
	32	25	8221-ZK-13086
	40	25	8221-ZK-13088
8.0	40	25	8221-ZK-13088
	50	25	8221-ZK-13090
	60	25	8221-ZK-13092
	70	25	8221-ZK-13093
	24	25	8221-ZK-13095
10.0	32	25	8221-ZK-13097
	40	25	8221-ZK-13099
	50	25	8221-ZK-13101
	60	25	8221-ZK-13103
	70	25	8221-ZK-13104
10.0	90	25	8221-ZK-13106
	28	25	8221-ZK-13108
	40	25	8221-ZK-13111
	60	25	8221-ZK-13115
	40	25	8221-ZK-13121

Application example



Tolerance m6
as per DIN 7979-D



Ø mm	L mm	PU	Item No.
6.0	14	25	8221-ZK-23069
	18	25	8221-ZK-23071
	20	25	8221-ZK-23072
	24	25	8221-ZK-23073
	28	25	8221-ZK-23074
6.0	32	25	8221-ZK-23075
	36	25	8221-ZK-23076
	40	25	8221-ZK-23077
	50	25	8221-ZK-23079
	60	25	8221-ZK-23081
8.0	18	25	8221-ZK-23082
	20	25	8221-ZK-23083
	24	25	8221-ZK-23084
	32	25	8221-ZK-23086
	40	25	8221-ZK-23088
8.0	40	25	8221-ZK-23088
	50	25	8221-ZK-23090
	60	25	8221-ZK-23092
	70	25	8221-ZK-23093
	24	25	8221-ZK-23095
10.0	32	25	8221-ZK-23097
	40	25	8221-ZK-23099
	50	25	8221-ZK-23101
	60	25	8221-ZK-23103
	70	25	8221-ZK-23104
10.0	90	25	8221-ZK-23106
	28	25	8221-ZK-23108
	40	25	8221-ZK-23111
	60	25	8221-ZK-23115
	40	25	8221-ZK-23121

Application example

