

LIQUID SOAP DISPENSER PP101



80 x 248 x 120 mm

700 ml soap tank

- Liquid soap dispenser in robust, germ-reducing and easy-care stainless steel (AISI 316L).
- All-stainless steel housing with rounded vertical corners. Visible surfaces satin finished and brushed. Further available surfaces: see below.
- One-hand operated and non-drip soap pump with 700 ml tank.
- Tank with large, lockable refill opening.
- Designed for standard liquid soaps or hand lotions.
- Inspection slot to indicate fill level.
- Accessible for refilling through lockable, hinged housing.
- Keyed alike cylinder lock in corrosion-resistant zinc die-casting.
- Wear parts can be replaced as modules.
- Mounting: With four screws through key holes and one optional anti-theft hole in the back wall.
- Delivery includes fixing material.
- Weight, including single package: 1.0 kg

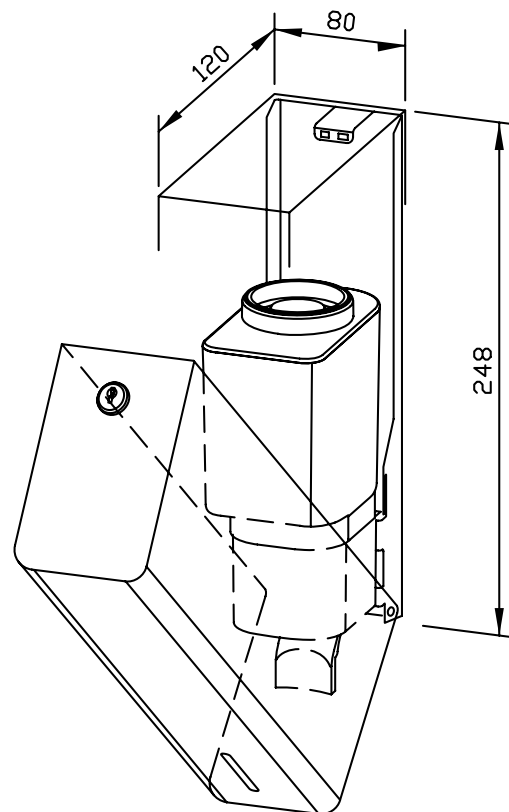


Suggested text for specifications:

Liquid soap dispenser in stainless steel (AISI 316L) for surface mounting. All-stainless steel housing with rounded vertical corners. Visible surfaces satin finished and brushed. One-hand operated and non-drip soap pump with 700 ml tank. Designed for standard liquid soaps or hand lotions. Inspection slot to indicate fill level. Accessible for refilling through lockable, hinged housing. Keyed alike cylinder lock in corrosion-resistant zinc die-casting. Delivery includes fixing material.

Dimensions: 80 x 248 x 120 mm

Article No. PP101



Available surfaces	ID No.
satin finished (standard)	727 337
highly polished	731 337
(coloured) plastic powder-coating	728 337

Ernst Wagner GmbH & Co. KG

Ernst-Abbe-Straße 21 · D-72770 Reutlingen · Tel.: +49712151539-0 · Fax: -20
info@wagner-ewar.de · www.wagner-ewar.de

WAGNER
EWAR