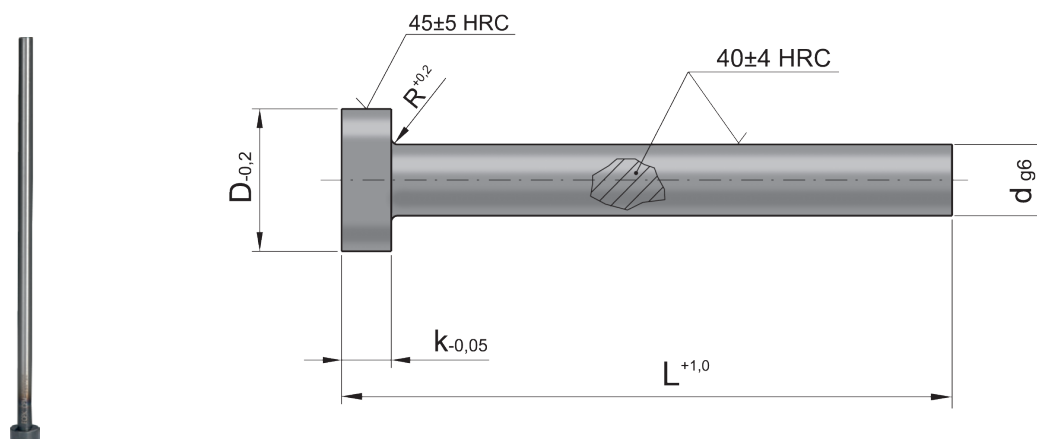


Rdzeń formujący

Core pin

CPM



Mat:
Stal narzędziowa do pracy na gorąco
Hot working tool steel
500-550°C

d	D	k	R	NR KAT.					
				L					
				100	125	160	200	250	
1	2,5	1,2	0,2	CPM-010100		CPM-010160			
1,5	3	1,5		CPM-015100	CPM-015125	CPM-015160	CPM-015200		
2	4	2		CPM-020100	CPM-020125	CPM-020160	CPM-020200	CPM-020250	
2,2				CPM-022100	CPM-022125	CPM-022160	CPM-022200	CPM-022250	
2,5	5			CPM-025100	CPM-025125	CPM-025160	CPM-025200	CPM-025250	
2,7				CPM-027100	CPM-027125	CPM-027160	CPM-027200	CPM-027250	
3	6		0,3	CPM-030100	CPM-030125	CPM-030160	CPM-030200	CPM-030250	
3,2				CPM-032100	CPM-032125	CPM-032160	CPM-032200	CPM-032250	
3,5	7	CPM-035100		CPM-035125	CPM-035160	CPM-035200	CPM-035250		
3,7		CPM-037100		CPM-037125	CPM-037160	CPM-037200	CPM-037250		
4	8	CPM-040100		CPM-040125	CPM-040160	CPM-040200	CPM-040250		
4,2		CPM-042100		CPM-042125	CPM-042160	CPM-042200	CPM-042250		
4,5		CPM-045100		CPM-045125	CPM-045160	CPM-045200	CPM-045250		
5		CPM-050100		CPM-050125	CPM-050160	CPM-050200	CPM-050250		
5,2	10	CPM-052100		CPM-052125	CPM-052160	CPM-052200	CPM-052250		
5,5		CPM-055100		CPM-055125	CPM-055160	CPM-055200	CPM-055250		
6	12	5		0,5	CPM-060100	CPM-060125	CPM-060160	CPM-060200	CPM-060250
6,2					CPM-062100	CPM-062125	CPM-062160	CPM-062200	CPM-062250
6,5			CPM-065100		CPM-065125	CPM-065160	CPM-065200	CPM-065250	
7			CPM-070100		CPM-070125	CPM-070160	CPM-070200	CPM-070250	
7,5			CPM-075100		CPM-075125	CPM-075160	CPM-075200	CPM-075250	

Rdzeń formujący

Core pin

CPM

d	D	k	R	NR KAT.				
				L				
				100	125	160	200	250
8	14	5	0,5	CPM-080100	CPM-080125	CPM-080160	CPM-080200	CPM-080250
8,2				CPM-082100	CPM-082125	CPM-082160	CPM-082200	CPM-082250
8,5				CPM-085100	CPM-085125	CPM-085160	CPM-085200	CPM-085250
9				CPM-090100	CPM-090125	CPM-090160	CPM-090200	CPM-090250
9,5				CPM-095100	CPM-095125	CPM-095160	CPM-095200	CPM-095250
10	16	5	0,5	CPM-100100	CPM-100125	CPM-100160	CPM-100200	CPM-100250
10,2				CPM-102100	CPM-102125	CPM-102160	CPM-102200	CPM-102250
10,5				CPM-105100	CPM-105125	CPM-105160	CPM-105200	CPM-105250
11				CPM-110100	CPM-110125	CPM-110160	CPM-110200	CPM-110250
12	18	7	0,8	CPM-120100	CPM-120125	CPM-120160	CPM-120200	CPM-120250
12,2				CPM-122100	CPM-122125	CPM-122160	CPM-122200	CPM-122250
12,5				CPM-125100	CPM-125125	CPM-125160	CPM-125200	CPM-125250
14	22	7	0,8	CPM-140100	CPM-140125	CPM-140160	CPM-140200	CPM-140250
16				CPM-160100	CPM-160125	CPM-160160	CPM-160200	CPM-160250
18				CPM-180100	CPM-180125	CPM-180160	CPM-180200	CPM-180250
20	26	8	1	CPM-200100	CPM-200125	CPM-200160	CPM-200200	CPM-200250
25	32	10				CPM-250160	CPM-250200	CPM-250250
32	40					CPM-320160	CPM-320200	CPM-320250

Rdzeń formujący

Core pin

CPM

d	D	k	R	NR KAT.						
				L						
				315	400	500	630	800	1000	
1	2,5	1,2	0,2							
1,5	3	1,5								
2	4	2								
2,2										
2,5	5									
2,7										
3	6		3	0,3	CPM-030315	CPM-030400	CPM-030500			
3,2						CPM-032315	CPM-032400			
3,5	7				CPM-035315	CPM-035400				
3,7					CPM-037315	CPM-037400				
4	8				CPM-040315	CPM-040400	CPM-040500			
4,2					CPM-042315	CPM-042400	CPM-042500	CPM-042630		
4,5				CPM-045315	CPM-045400					
5	10			CPM-050315	CPM-050400	CPM-050500	CPM-050630	CPM-050800		
5,2				CPM-052315	CPM-052400	CPM-052500	CPM-052630			
5,5				CPM-055315	CPM-055400	CPM-055500	CPM-055630			
6	12	5		0,5	CPM-060315	CPM-060400	CPM-060500	CPM-060630	CPM-060800	CPM-0601000
6,2						CPM-062315	CPM-062400	CPM-062500	CPM-062630	
6,5					CPM-065315	CPM-065400	CPM-065500			
7					CPM-070315	CPM-070400	CPM-070500	CPM-070630		
7,5					CPM-075315	CPM-075400	CPM-075500			
8			14			CPM-080315	CPM-080400	CPM-080500	CPM-080630	CPM-080800
8,2				CPM-082315	CPM-082400	CPM-082500	CPM-082630	CPM-082800		
8,5				CPM-085315	CPM-085400	CPM-085500	CPM-085630			
9				CPM-090315	CPM-090400	CPM-090500	CPM-090630			
9,5			CPM-095315	CPM-095400	CPM-095500					
10	16			CPM-100315	CPM-100400	CPM-100500	CPM-100630	CPM-100800	CPM-1001000	
10,2				CPM-102315	CPM-102400	CPM-102500	CPM-102630	CPM-102800		
10,5			CPM-105315	CPM-105400	CPM-105500	CPM-105630				
11		CPM-110315	CPM-110400	CPM-110500	CPM-110630					
12	18	7	0,8	CPM-120315	CPM-120400	CPM-120500	CPM-120630	CPM-120800	CPM-1201000	
12,2					CPM-122315	CPM-122400	CPM-122500	CPM-122630	CPM-122800	
12,5					CPM-125315	CPM-125400	CPM-125500	CPM-125630	CPM-125800	
14				22	CPM-140315	CPM-140400	CPM-140500	CPM-140630	CPM-140800	CPM-1401000
16						CPM-160315	CPM-160400	CPM-160500	CPM-160630	CPM-160800
18	24			CPM-180315	CPM-180400	CPM-180500	CPM-180630	CPM-180800	CPM-1801000	
20	26	8	1	CPM-200315	CPM-200400	CPM-200500	CPM-200630	CPM-200800	CPM-2001000	
25	32	10		CPM-250315	CPM-250400	CPM-250500	CPM-250630	CPM-250800	CPM-2501000	
32	40			CPM-320315	CPM-320400	CPM-320500	CPM-320630	CPM-320800	CPM-3201000	