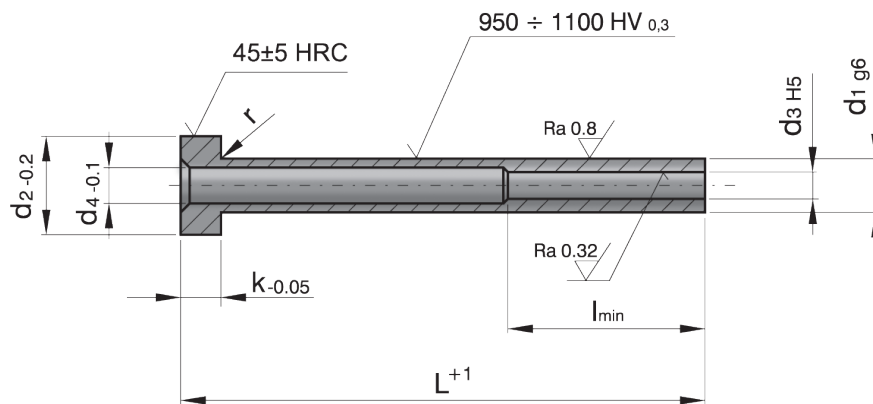


**Wypychacz tulejowy azotowany**

Ejector sleeve nitrided

**EMT**

DIN 16756 / ISO 8405



Azotowany / Nitrided

Mat:  
Stal narzędziowa  
do pracy na gorąco  
Hot working tool steel  
500-550°C

d3	d1	d2	k	d4	l <sub>min</sub>	L				
						75	100	125	150	175
2,0	4	8		2,5	35	EMT-02004075	EMT-02004100	EMT-02004125	EMT-02004150	EMT-02004175
2,2						EMT-02204075	EMT-02204100	EMT-02204125	EMT-02204150	EMT-02204175
2,5						EMT-02504100				
2,5	5	10	3	3,0	35	EMT-02505075	EMT-02505100	EMT-02505125	EMT-02505150	EMT-02505175
2,7						EMT-02705075	EMT-02705100	EMT-02705125	EMT-02705150	
3,0						EMT-03005075	EMT-03005100	EMT-03005125	EMT-03005150	EMT-03005175
3,2	6	12		3,5	45	EMT-03205075	EMT-03205100	EMT-03205125	EMT-03205150	EMT-03205175
3,5						EMT-03505100	EMT-03505125	EMT-03505150	EMT-03505175	
3,5						EMT-03506075	EMT-03506100	EMT-03506125	EMT-03506150	EMT-03506175
3,7	8	14		4,0	45	EMT-03706075	EMT-03706100	EMT-03706125	EMT-03706150	EMT-03706175
4,0						EMT-04006075	EMT-04006100	EMT-04006125	EMT-04006150	EMT-04006175
4,2						EMT-04208075	EMT-04208100	EMT-04208125	EMT-04208150	EMT-04208175
5,0	10	16	5	4,5	45	EMT-05008075	EMT-05008100	EMT-05008125	EMT-05008150	EMT-05008175
5,2						EMT-05208075	EMT-05208100	EMT-05208125	EMT-05208150	EMT-05208175
6,0						EMT-06010075	EMT-06010100	EMT-06010125	EMT-06010150	EMT-06010175
6,2	12	20		6,5	45	EMT-06210075	EMT-06210100	EMT-06210125	EMT-06210150	EMT-06210175
8,0						EMT-08012075	EMT-08012100	EMT-08012125	EMT-08012150	EMT-08012175
8,2						EMT-08212075	EMT-08212100	EMT-08212125	EMT-08212150	EMT-08212175
10,0	14	22	7	10,5	50	EMT-10014075	EMT-10014100	EMT-10014125	EMT-10014150	EMT-10014175
10,2						EMT-10214100	EMT-10214125	EMT-10214150		
10,5						EMT-10514100	EMT-10514125	EMT-10514150	EMT-10514175	
12,0	16			12,5	50	EMT-12016075	EMT-12016100	EMT-12016125	EMT-12016150	EMT-12016175
12,5						EMT-12516100	EMT-12516125	EMT-12516150	EMT-12516175	

## Wypychacz tulejowy azotowany

Ejector sleeve nitrided

# EMT

d3	d1	d2	k	d4	l <sub>min</sub>	L			
						200	225	250	275
2,0	4	8	3	2,5	35	EMT-02004200			
3,0	5	10		3,5	45	EMT-03005200	EMT-03005225		
3,2						EMT-03205200	EMT-03205225		
3,5	6	12	4,0	45	EMT-03506200				
4,0					EMT-04006200	EMT-04006225			
4,2					EMT-04208200	EMT-04208225			
5,0	8	14	5,5	45	EMT-05008200	EMT-05008225			
5,2					EMT-05208200	EMT-05208225			
6,0	10	16	6,5	45	EMT-06010200	EMT-06010225	EMT-06010250		
6,2					EMT-06210200	EMT-06210225	EMT-06210250		
8,0	12	20	8,5	45	EMT-08012200	EMT-08012225	EMT-08012250	EMT-08012275	
8,2					EMT-08212200	EMT-08212225	EMT-08212250	EMT-08212275	
10,0	14	22	10,5	50	EMT-10014200	EMT-10014225	EMT-10014250	EMT-10014275	
10,2					EMT-10214200	EMT-10214225	EMT-10214250	EMT-10214275	
10,5					EMT-10514200	EMT-10514225			
12,0	16		12,5	50	EMT-12016200	EMT-12016225	EMT-12016250	EMT-12016275	
12,5					EMT-12516200	EMT-12516225	EMT-12516250	EMT-12516275	

**Uwaga. Inne wymiary na zapytanie**

*Note. Other dimensions on request.*