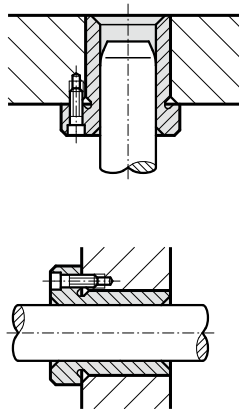


# FLANGED GUIDE BUSH ECO-LINE, BRONZEPLATED, ISO 9448-4

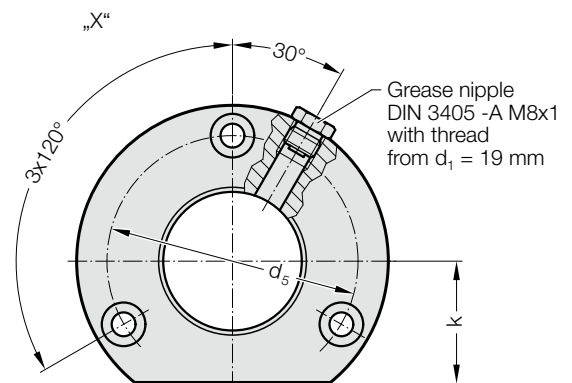
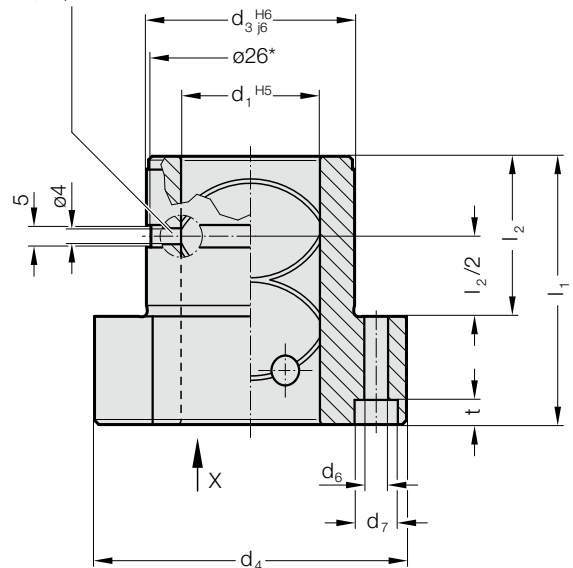


## Mounting example



## 2091.92.

Groove and lubrication hole by  $d_1 = 15/16$  mm



### Material:

Steel,  $d_3$  induction hardened

### Execution:

Bronze coated internal bore.  
Outside diameter fine-ground.

### Note:

The guide bush is fixed by means of 3 screws up to  $\varnothing 16$ : with screws to DIN 6912, from  $\varnothing 19$ : with screws to DIN EN ISO 4762.

The screws are not contained in the scope of delivery.

☞ Notes on sliding type guides at the beginning of chapter D.

☞ Matching guide combinations, see selection matrix at the beginning of chapter D.

☞ Assembly guide lines / Dimensional requirements and tolerances at the end of chapter D.

## 2091.92. Flanged guide bush ECO-LINE, bronzeplated, ISO 9448-4

$d_1$	15 16	19 20	24 25	30 32	38 40	48 50	60 63
$d_3$	28	32	40	48	58	70	85
$d_4$	45	50	63	72	85	104	120
$d_5$	35	40	50	58	70	86	100
$d_6$	4.5	4.5	5.5	5.5	6.6	9	9
$d_7$	8	8	10	10	11	15	15
k	15	18	23	28	33	38	46
$l_1$	36	45	55	62	67	89	89
$l_2$	30	30	30	37	37	47	47
t	3.4	4.6	5.7	5.7	6.8	9	9

### Ordering Code (example):

Flanged guide bush ECO-LINE, bronzeplated,  
ISO 9448-4

= 2091.92.

Diameter of conduit  $d_1$

32 mm = 032

Order No

= 2091.92. 032