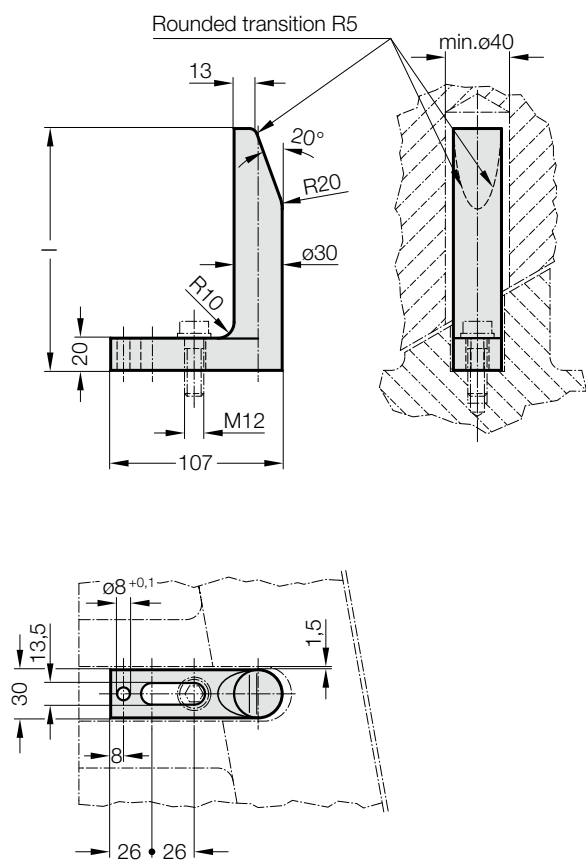


GUIDE

2443.10.



Material:

Ck 60, area of pilot taper hardened 58 + 2 HRC

Execution:

forged

2443.10. Guide

Order No	l
2443.10.065	65
2443.10.090	90
2443.10.120	120
2443.10.150	150
2443.10.180	180
2443.10.250	250
2443.10.300	300
2443.10.350	350