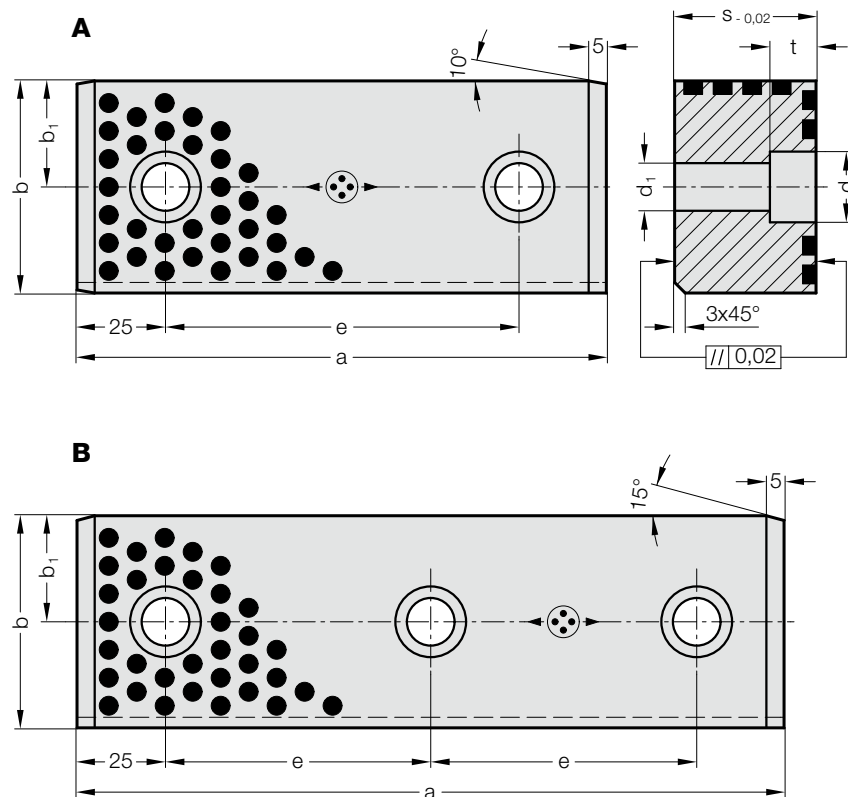


# GUIDE BAR WITH TWO SLIDING SURFACES, BRONZE WITH SOLID LUBRICANT, VDI 3357

2962.75.



**Material:**

Bronze with solid lubricant, oilless lubricating

**Note:**

Screws are not included.

**Fixing:**

Use socket cap screws

DIN EN ISO 4762.

**2962.75. Guide bar with two sliding surfaces, Bronze with solid lubricant, VDI 3357**

Order No	Shape	a	b	s	b <sub>1</sub>	e	d	d <sub>1</sub>	t	Number of screw holes
2962.75.025.012.0110	A	110	25	12	12.5	60	15	9	8.5	2
2962.75.025.012.0120	A	120	25	12	12.5	70	15	9	8.5	2
2962.75.025.015.0110	A	110	25	15	12.5	60	18	11	10.5	2
2962.75.025.015.0120	A	120	25	15	12.5	70	18	11	10.5	2
2962.75.060.030.0125	A	125	60	30	30	75	20	13.5	13	2
2962.75.060.030.0150	A	150	60	30	30	100	20	13.5	13	2
2962.75.060.030.0160	A	160	60	30	30	110	20	13.5	13	2
2962.75.060.030.0200	B	200	60	30	30	75	20	13.5	13	3
2962.75.060.040.0125	A	125	60	40	30	75	20	13.5	13	2
2962.75.060.040.0150	A	150	60	40	30	100	20	13.5	13	2
2962.75.060.040.0160	A	160	60	40	30	110	20	13.5	13	2
2962.75.060.040.0200	B	200	60	40	30	75	20	13.5	13	3