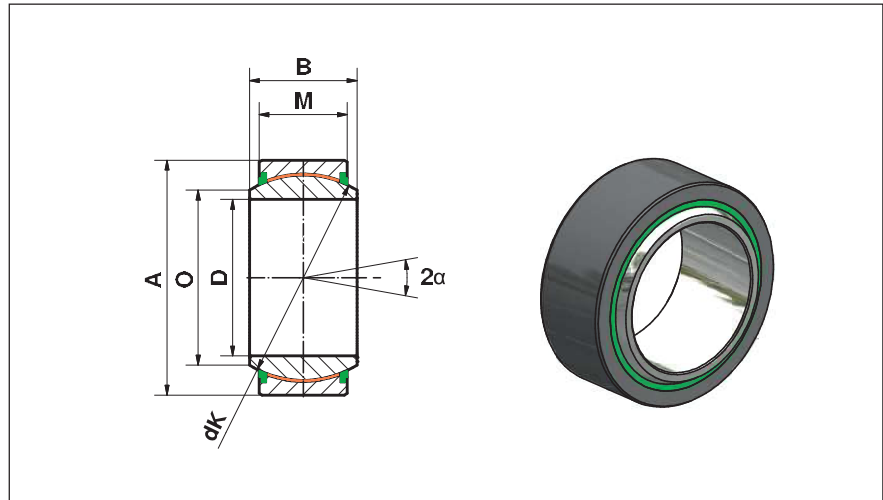


Spherical Plain Bearings Series E

Series GE...EW-2RS

Spherical plain bearings series E, mating surface hard chrome/ FLUROGLIDE®, maintenance free

For use with high unidirectionally/variably acting loads



Size (D)	B	M	A	O	dK	Static load ratings C ₀ kN	Dynamic load ratings C kN	Tilting angle α	Weight g
17 ⁰ _{-0,008}	14	10	30 ⁰ _{-0,009}	20,7	25,0	81,2	48,7	10	37
20 ⁰ _{-0,010}	16	12	35 ⁰ _{-0,011}	24,1	29,0	112	67,5	9	60
25 ⁰ _{-0,010}	20	16	42 ⁰ _{-0,011}	29,3	35,5	212	127	7	110
30 ⁰ _{-0,010}	22	18	47 ⁰ _{-0,011}	34,2	40,7	275	165	6	140
35 ⁰ _{-0,012}	25	20	55 ⁰ _{-0,013}	39,7	47,0	350	210	6	220
40 ⁰ _{-0,012}	28	22	62 ⁰ _{-0,013}	45,0	53,0	462	277	7	300
45 ⁰ _{-0,012}	32	25	68 ⁰ _{-0,013}	50,7	60,0	600	360	7	390
50 ⁰ _{-0,012}	35	28	75 ⁰ _{-0,013}	55,9	66,0	737	442	6	530
60 ⁰ _{-0,015}	44	36	90 ⁰ _{-0,015}	66,8	80,0	1.150	690	6	980
70 ⁰ _{-0,015}	49	40	105 ⁰ _{-0,015}	77,8	92,0	1.472	883	6	1.500
80 ⁰ _{-0,015}	55	45	120 ⁰ _{-0,015}	89,4	105,0	1.875	1.125	6	2.200
90 ⁰ _{-0,020}	60	50	130 ⁰ _{-0,018}	98,1	115,0	2.300	1.380	5	2.700
100 ⁰ _{-0,020}	70	55	150 ⁰ _{-0,018}	109,5	130,0	2.860	1.716	7	4.200
110 ⁰ _{-0,020}	70	55	160 ⁰ _{-0,025}	121,2	140,0	3.075	1.845	6	4.700
120 ⁰ _{-0,020}	85	70	180 ⁰ _{-0,025}	135,5	160,0	4.475	2.685	6	8.100
140 ⁰ _{-0,025}	90	70	210 ⁰ _{-0,030}	155,8	180,0	5.025	3.015	7	10.600
160 ⁰ _{-0,025}	105	80	230 ⁰ _{-0,030}	170,3	200,0	6.400	3.840	8	13.800
180 ⁰ _{-0,025}	105	80	260 ⁰ _{-0,035}	198,9	225,0	7.200	4.320	6	17.400
200 ⁰ _{-0,030}	130	100	290 ⁰ _{-0,035}	213,5	250,0	10.000	6.000	7	28.000
220 ⁰ _{-0,030}	135	100	320 ⁰ _{-0,040}	239,5	275,0	11.000	6.600	8	35.500
240 ⁰ _{-0,030}	140	100	340 ⁰ _{-0,040}	265,3	300,0	12.000	7.200	8	39.000
260 ⁰ _{-0,035}	150	110	370 ⁰ _{-0,040}	288,3	325,0	14.250	8.550	7	50.800
280 ⁰ _{-0,035}	155	120	400 ⁰ _{-0,040}	313,8	350,0	16.750	10.050	6	64.700
300 ⁰ _{-0,035}	165	120	430 ⁰ _{-0,045}	366,7	375,0	18.000	10.800	7	76.600

In spherical plain bearings up to size 120, the hardened shell is split unilaterally due to assembly reasons. Starting with size 140, the spherical plain bearing consists of two hardened shells secured with a clamp and screw.

Materials:

Outer ring: Bearing steel 100Cr6, hardened and phosphated, with FLUROGLIDE® bonded to the inner surface

Inner ring: Bearing steel 100Cr6, hardened, ground, polished, hard chrome plated

On request available in stainless steel

Please note that the numbers pointed off on the pages 17 to 23 and 25 in the data sheets, signalise a thousands place. And the numbers with thousands separators (comma) signalise a decimal point.