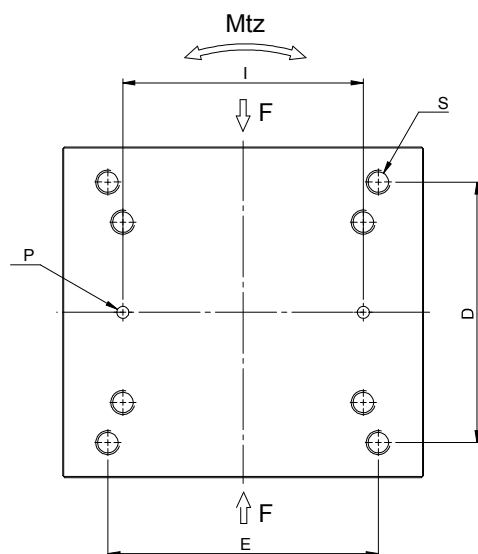
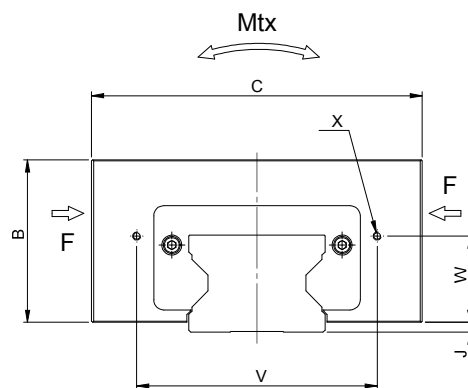
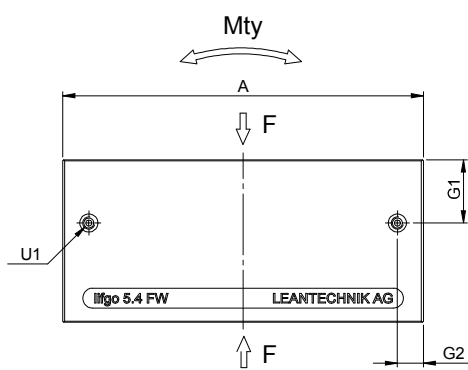


lifgo® 5.4 guide car • Dimension sheet

Guide cars provide support and guidance, and fit on both guide rails and gear rack rails within a size category.



- ! Note the static and dynamic load ratings when configuring the components. They are identical to those for the lifgo® gearboxes (see page 7).
- ! Ensure that the lube holes remain accessible after assembly.

lifgo® guide car		Unit	lifgo® 5.4
Dowel holes	A	mm	180
	B	mm	81
	C	mm	165
	D	mm	130
	E	mm	135
	G1	mm	31,5
	G2	mm	13
	I	mm	120
	J	mm	5
	P	mm	∅ 6 H7 ↓6
	S	mm	M12 ↓35 ∅ 10,2 through
	U1	mm	M6 ↓5
	V	mm	120
	W	mm	43
	X	mm	M4 ↓8
Lifting speed	v_{max}	m/s	3
Acceleration	a_{max}	m/s ²	50
Static torque	$M_{t_x \text{ stat.}}$	Nm	5500
Dynamic torque	$M_{t_x \text{ dyn.}}$	Nm	2800
	$M_{t_y \text{ stat.}}$	Nm	3300
	$M_{t_y \text{ dyn.}}$	Nm	1600
	$M_{t_z \text{ stat.}}$	Nm	3300
	$M_{t_z \text{ dyn.}}$	Nm	1600
Static load ratings	F stat.	N	161400
Dynamic load ratings	F dyn.	N	79600
Weight		kg	13,5

Article number	lifgo® 5.4
lifgo® guide car	500 100