
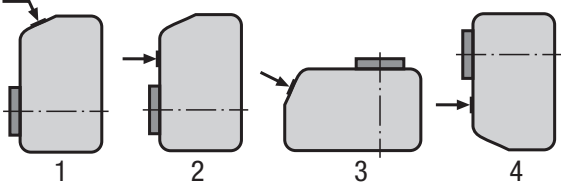
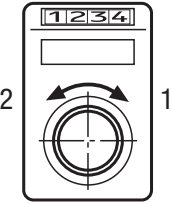




Display after one rotation, with decimal point:	Mounting position (1 - 4):
	
e. g. 21902-05-01002111 0100 = 1 mm increments 2 = decimal places	e. g. 21902-05-01002111 = mounting position 1

Count direction (1 - 2):	Colour (1 - 2):
 <p>e. g. 21902-05-01002111 1 = clockwise (ascending values) 2 = anticlockwise (ascending values)</p>	<p>1 </p> <p>2 </p> <p>e. g. 21902-05-01002111 1 = orange 2 = black</p>