

---

 TECHNICAL DATA SHEET

# PMA Automation - BKE - Ball joint termination

## PMA



CE UK  
CA

### Applications:

- Ball joint termination allows fixation of a PMA conduit terminal
- Used in combination with BSH tube clamps
- Suited for robotics dress pack installations, e.g. end piece of conduit at axis 6

### Features & Benefits:

- Ball joint used in combination with BSH allows tilting of up to  $\pm 10^\circ$  and  $360^\circ$  of axial rotation
- Trumpet-shaped opening restricts conduit bending radius, reduces mechanical stress and increases product lifetime
- Easy to install and exchange
- Additional strain relief possible in combination with the BKS cable star

### Materials:

- High-grade, specially formulated polyamide 6

### Compatible with:

- PMA Automation BSH Tube clamp
- PMA Automation BKS Grommets
- PMAFLEX Pro Conduits
- PMAFLEX Multilayer Conduits
- PMAFLEX Conduits

### Weathering resistance:

- Very good UV resistance and weathering characteristics

### Colour:

- Black

### Chemical properties:

- Please refer to [www.pma.ch](http://www.pma.ch) (Technical Information / Chemical Resistance)

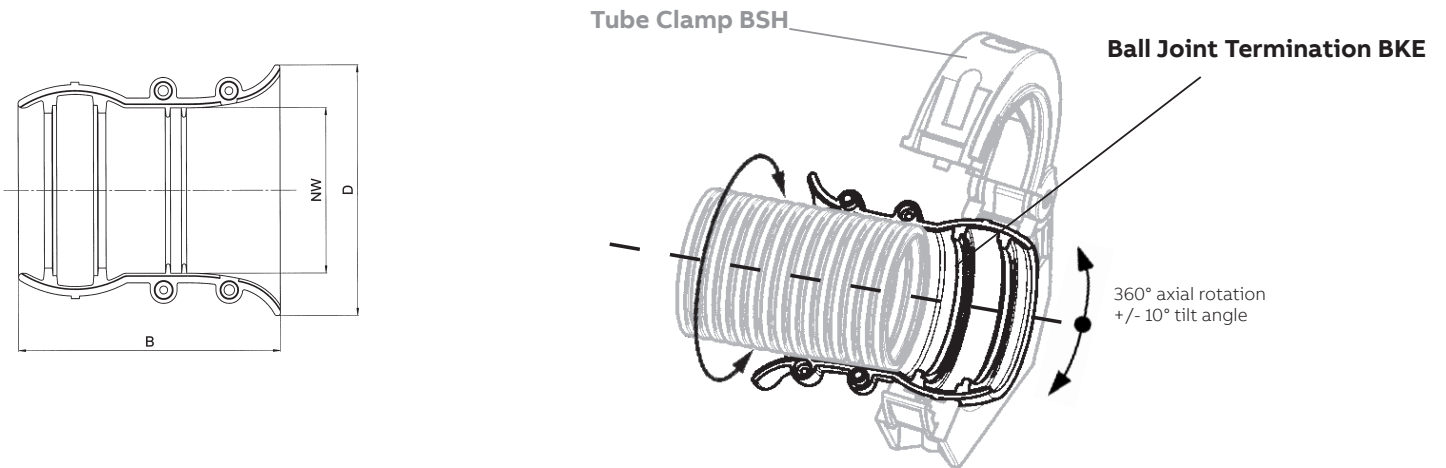
### Environmental properties:

- Free from halogens and cadmium
- RoHS and REACH compliant

**Product selection:**

Part no.		Conduit size	Dimensions in mm (nom.)		Fits to	Weight	Packing unit
ball joint termination	reduction half-shell	NW	B	D		kg/100 pcs	pcs/PU
BKE-R36GT		36	85.0	65.0	BSH-R36	4.3	1
BKE-R48GT		48	90.0	78.5	BSH-R48	5.8	1
BKE-R70G*	BGN-R56G/70G	56	126.5	122.0	BSH-R70	27.9	1
BKE-R70G		70	126.5	122.0	BSH-R70	25.0	1

\*Reduction half-shell BGN-R56G/70G required in order to use for NW56 size conduit  
Our customer service dept. or local distribution partner will be pleased to help you concerning product availability and lead time



Mechanical Properties:	Value:	Test parameters:	Test method:
Tensile modulus	1'200 ... 3'700 N/mm <sup>2</sup>		ISO 527
Tensile strength	45 ... 65 N/mm <sup>2</sup>		ISO 527
Notched bar impact test	4 ... 20 kJ/m <sup>2</sup>		ISO 180/1C

Thermal properties:	Value:	Test parameters:	Test method:
Continuous application temperature	-50 ... +105°C		PMA DO 9.21-4510
Upper application temperature	+120°C	(20'000 h)	PMA DO 9.21-4360
Short-term	+160°C	(168 h)	PMA DO 9.21-4361

**Content of delivery:**

- 2 halfshells + 2x screws (NW36,NW48) / 4x screws (NW70)

ABB Switzerland Ltd,  
PMA Cable Protection  
Aathalstrasse 90  
8610 Uster, Switzerland  
Phone: +41 58 585 00 11  
pma-info@ch.abb.com  
www.pma.ch

Let's write the future.  
Together. **abb.com**

We reserve the right to make technical changes or modify the contents of this document without prior notice. With regard to purchase orders, the agreed particulars shall prevail. ABB Installation Products Inc. does not accept any responsibility whatsoever for potential errors or possible lack of information in this document.

We reserve all rights in this document and in the subject matter and illustrations contained therein. Any reproduction, disclosure to third parties or utilization of its contents – in whole or in parts – is forbidden without prior written consent of ABB Inc. Copyright© 2019 ABB Installation Products Inc. All rights reserved

