

Ex enclosures



System accessories Page 507

Applications:

- Zone 1 and 2 or 21 and 22 to 94/9/EC
- Ambient temperature range: -30°C...+80°C
- Protection type to EN 60 079: Equipment protection due to increased safety, equipment protection due to enclosure

Material:

- Fibre-glass-reinforced unsaturated polyester, surface resistance: $< 10^9 \Omega$
- Door: Fibre-glass-reinforced unsaturated polyester, surface resistance: $< 10^9 \Omega$ all-round foamed-in silicone seal
- Mounting plate: Sheet steel, zinc-plated

Colour:

- RAL 9011

Protection category IP to IEC 60 529:

- IP 66

Supply includes:

- Enclosure
- Door
- Mounting plate

Certificates:

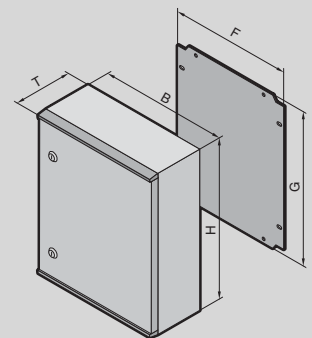
- PTB 03 ATEX 1011U
- IEC Ex PTB 10.0011U

Approvals:

- ATEX
- IEC

Technical details:

Available on the Internet



Plastic, empty enclosure with hinged door

Width (B) mm	Packs of	200	250	300	400	400	500	600	600	800	Page
Height (H) mm		300	350	400	400	600	500	600	800	1000	
Depth (T) mm		150	150	200	200	200	300	200	300	300	
Mounting plate width (F) mm		145	195	245	345	345	417	545	517	717	
Mounting plate height (G) mm		250	300	350	350	550	450	550	750	950	
Model No.	1 pc(s).	9201.600	9202.600	9203.600	9204.600	9205.600	9207.600	9206.600	9208.600	9209.600	
Cam lock with 3 mm double-bit insert		1	2	2	2	2	2	2	-	-	
3-point locking rod		-	-	-	-	-	-	-	■	■	
Reinforcement section in the door		-	-	-	-	-	■	■	-	-	
Weight kg		3.7	4.6	6.0	6.5	11.5	12.9	15.9	24.3	39.0	
Accessories											
Wall mounting bracket	4 pc(s).	9266.000	9266.000	9266.000	9266.000	9266.000	9266.000	9266.000	9266.000	9266.000	588
Threaded inserts M6	20 pc(s).	1482.000	1482.000	1482.000	1482.000	1482.000	1482.000	1482.000	1482.000	1482.000	625
Mounting plate adjustment bracket	4 pc(s).	1481.000	1481.000	1481.000	1481.000	1481.000	1491.000	1481.000	1491.000	1491.000	594
Support rails TS 35/7.5	10 pc(s).	2315.000	-	2316.000	2317.000	2317.000	-	-	-	-	614
Support rails TS 35/15	10 pc(s).	-	-	-	-	-	2318.000	2319.000	2319.000	-	614
Earth straps		see page	see page	see page	see page	see page	see page	see page	see page	see page	644