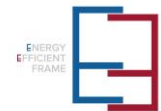




For Higher Efficiency  
**Folding Door AL603EEF**

**Folding Door AL603EEF**

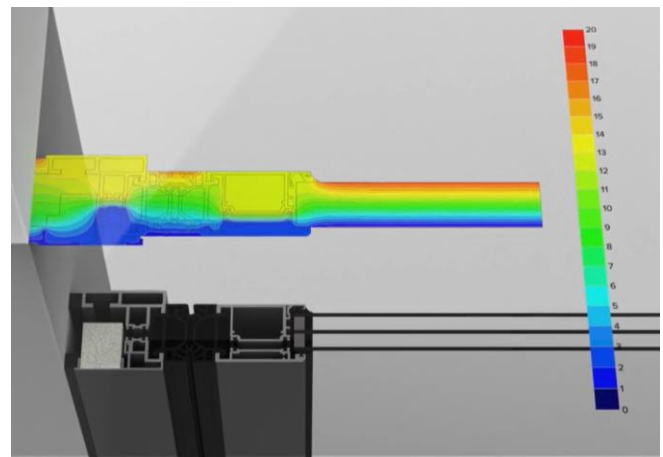
ENERGY EFFICIENT FRAME



The innovative aluminium-frame technology EEF is setting new standards in terms of energy-efficiency, design and sustainability.

**HIGHLIGHTS**

- > optimal thermal insulation
- > exceptionally high air tightness
- > large-scale glazing
- > concealed mounting
- > robust and durable
- > cost-efficient and sustainable



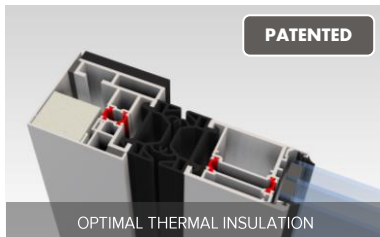
Technical data	AL603EEF
max. door size (OW x OH)	15 600 x 5 600 mm
Partition variants	2+0 / 2+1 / 2+2 / 3+1 / 3+2 / 3+3 / 4+0 / 4+1 / 4+2 / 4+3 / 4+4 / 5+1 / 5+2 / 6+0 / 6+1 / 6+2 / 6+4 / 6+6
Opening angle	90° or 180° (max. 3 leaves)
Active leaf or built-in access door	possible
Size of fully glazed doors	5 600 mm
Continuous glazing	4 500 mm
Operation	manual, E-drive Basic or Power-F

The **thermal separation** of the newly developed and **patented door frame** reduces heat loss and minimizes condensation of room air in the inside of the door.

The SCHNEIDER Folding Door AL603EEF with plastic separators in the frame profile combined with insulating material and triple glazing allows for the best possible U-value.

# ENERGY EFFICIENT FRAME

## Innovative Frame Technology



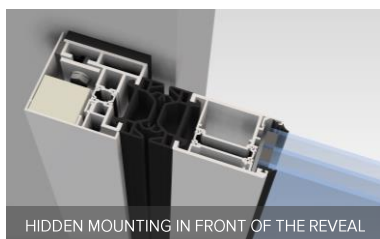
### Thermally separated door frame

- > allows U-values up to 1,1 W/m<sup>2</sup>K according to EN 12428
- > reduces heat losses
- > lowers energy costs



### Smooth-running rail system

- > guarantees easy handling of the door
- > takes up the high weight of the door leaves
- > enables large-scale glazing of real glass



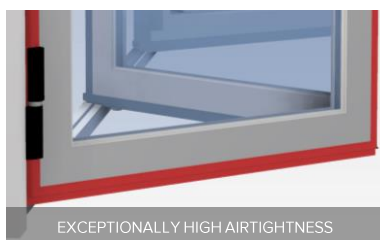
### Two-part frame system

- > makes the mounting of the door hidden in every possible mounting scenario



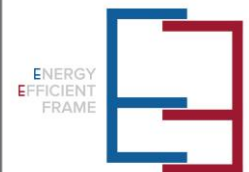
### Cover profile of the running rail

- > protects the running rail from dirt
- > guarantees a long product life
- > contributes significantly to the design of the door



### Coordinated contours of the frame seals

- > increase the air tightness of the entire folding door
- > enable a resistance against air permeability up to class 4 according to EN 12426



FOR HIGHER EFFICIENCY

Technical changes, printing and typesetting errors, colour deviations due to printing, price changes, also without prior information, reserved. Representations are only shown as examples, last updated 07/2022.