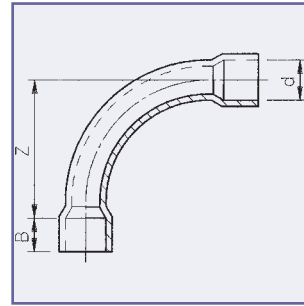
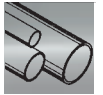


## 4-D Radius Bend 90°

- 4-D Radius Bocht 90°
- 4-D Radius Bogen 90°
- 4-D Rayon Courbe 90°
- 4-D Raggio Curva 90°
- 4-D Radio Curva 90°



PVC

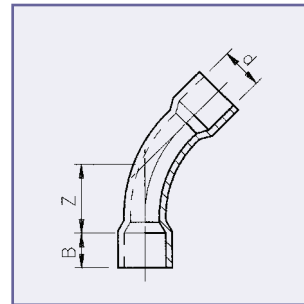


$R = 4d$

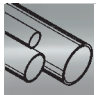
Art.code	d	Z	B	PN	Quantity
1.03.063	63	256	50	10	30

## 4-D Radius Bend 45°

- 4-D Radius Bocht 45°
- 4-D Radius Bogen 45°
- 4-D Rayon Courbe 45°
- 4-D Raggio Curva 45°
- 4-D Radio Curva 45°



PVC

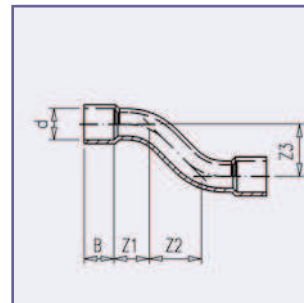


$R = 4d$

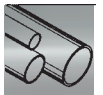
Art.code	d	Z	(= max. tol. +15%) B	PN	Quantity
1.13.063	63	159.5	50	10	50

## S-Bend

- S-Bocht
- S-Bogen
- Courbe en S
- Curva-S
- Curva-Pasamuro



PVC



Art.code	d	B	Z <sub>1</sub>	Z <sub>2</sub>	Z <sub>3</sub>	PN	Quantity
1.10.032	32	22	35	57	60	10	150
1.10.040	40	26	40	63	60	10	150
1.10.050	50	31	50	55	85	10	80