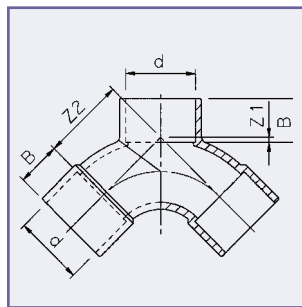


Y-Bend

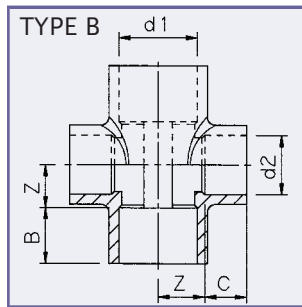
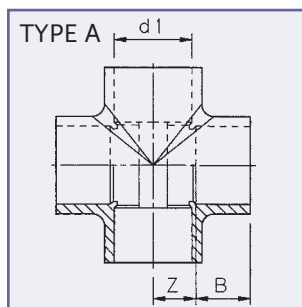
Stroom Y-Stuk
 Y-Bogen°
 Y-Courbe°
 Curva a y
 Y curva con injerto



Art.code	d	Z1	Z2	B		PN	Quantity
2.09.051	50	-3	62	31		16	55
2.09.064	63	-3	77	38		10	25

Cross

Kruisstuk
 Kreuzstück
 Croix
 Croce
 Cruz



Art.code	d1	d2	Z	B	C	Type	PN	Quantity
2.50.010	10	-	6.5	12	-	A	16	150 (3x50)
2.50.012	12	-	7.5	12	-	A	16	150 (3x50)
2.50.016	16	-	9.5	14	-	A	16	150 (3x50)
2.50.020	20	-	11.0	16	-	A	16	100 (2x50)
2.50.025	25	-	13.5	19	-	A	16	150
2.50.032	32	-	17.0	22	-	A	16	150
2.50.039	40	32	21.0	26	22	B	16	100
2.50.040	40	-	21.0	26	-	A	16	90
2.50.049	50	32	28.0	31	22	B	16	70
2.50.050	50	-	26.0	31	-	A	16	54
2.50.063	63	-	34	38	-	A	16	25
2.50.075	75	-	40	44	-	A	10	16
2.50.090	90	-	48	51	-	A	10	10
2.50.110	110	-	59	61	-	A	10	5