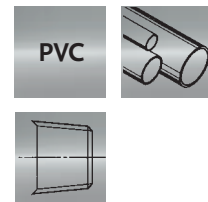
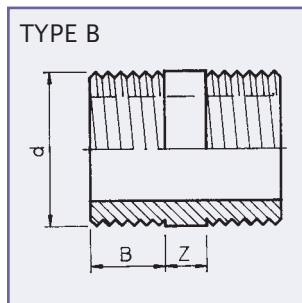
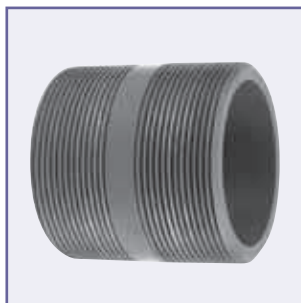
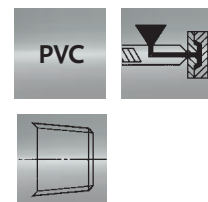
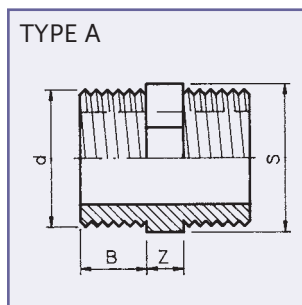


## Nipple

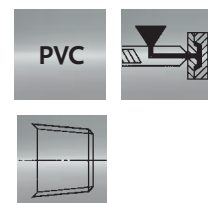
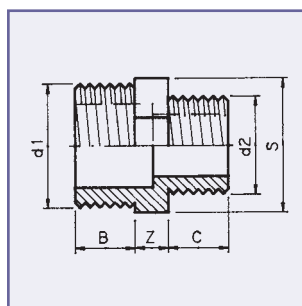
- Draadnippel
- Doppelnippel
- Mamelon filet 
- Nipplo
- Nipple



Art.code	d	Z	B	S	Type	PN	Quantity
3.35.035	1/4" (M)	8	12	19	A	16	100
3.35.045	3/8" (M)	8	15	24	A	16	100
3.35.055	1/2" (M)	8	17	27	A	16	100
3.35.065	3/4" (M)	8	19	32	A	16	100
3.35.075	1" (M)	9	21	36	A	16	100
3.35.085	1 1/4" (M)	10	23	46	A	16	100
3.35.095	1 1/2" (M)	11	23	55	A	16	100
3.35.105	2" (M)	12	27	65	A	16	100
1.50.025	2 1/2" (M)	16	27	-	B	16	25
1.50.030	3" (M)	25	27	-	B	16	10
1.50.040	4" (M)	16	33	-	B	16	10
1.50.050	5" (M)	16	46	-	B	16	10

## Nipple

- Draadnippel
- Doppelnippel
- Mamelon filet 
- Nipplo
- Nipple



Art.code	d1	d2	Z	B	C	S	PN	Quantity
3.35.040	3/8" (M)	1/4" (M)	8	15	13	24	16	100
3.35.050	1/2" (M)	3/8" (M)	8	17	15	27	16	100
3.35.060	3/4" (M)	1/2" (M)	8	19	17	32	16	100
3.35.070	1" (M)	3/4" (M)	9	21	19	36	16	100
3.35.080	1 1/4" (M)	1" (M)	9	23	21	46	16	100
3.35.090	1 1/2" (M)	1 1/4" (M)	11	23	23	55	16	100
3.35.100	2" (M)	1 1/2" (M)	12	27	23	65	16	100