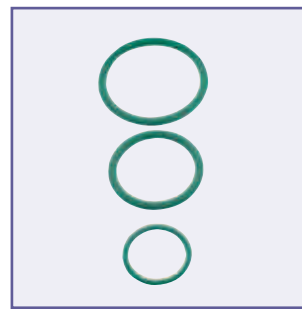
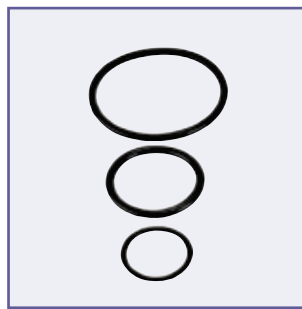


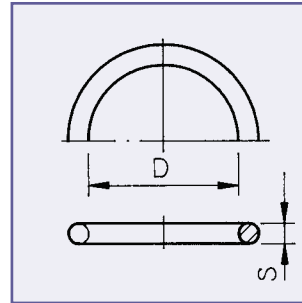
O-ring for union (parts)

O-ring voor spuitgietskoppeling
 O-ring für Verschraubung
 Joint torique pour raccord union
 O-ring per bocchettone
 Junta torica para enlace de unión



VITON®

EDPM



PVC-u metric

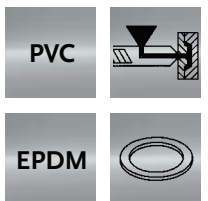
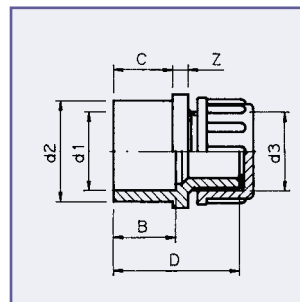
Art.code	Dia	D	S	Quantity
8.06.016	16	15.55	2.62	100
8.06.020	20	20.22	3.53	250
8.06.025	25	28.17	3.53	500
8.06.032	32	32.92	3.53	100
8.06.040	40	40.64	5.33	100
8.06.050	50	46.99	5.33	100
8.06.063	63	59.69	5.33	100
8.06.075	75	78.74	5.33	50
8.06.090	90	97.79	5.33	50
8.06.110	110	117.50	5.33	50

VITON (F.P.M Colour = green)

Art.code	Dia	D	S	Quantity
8.36.016	16	15.55	2.62	10
8.36.020	20	20.22	3.53	10
8.36.025	25	28.17	3.53	10
8.36.032	32	32.92	3.53	10
8.36.040	40	40.64	5.33	10
8.36.050	50	46.99	5.33	10
8.36.063	63	59.69	5.33	10
8.36.075	75	78.74	5.33	1
8.36.090	90	97.79	5.33	1

End part

Eindset
 Enverschluss
 Bouchon terminal
 Tappo final
 Tapón terminal



Art.code	d1	d2	d3	Z	B	C	D	PN	Quantity
3.77.016	16	-	1/2"	8	14	-	38	10	250
3.77.020	20	-	1/2"	8	16	-	40	10	250
3.77.025	25	32	3/4"	3	19	22	42	10	500
3.77.032	32	40	1"	2	22	24	44	10	250
3.77.035	32	40	1 1/4"	2	22	24	44	10	200
3.77.040	40	50	1 1/4"	10	26	27	60	10	125