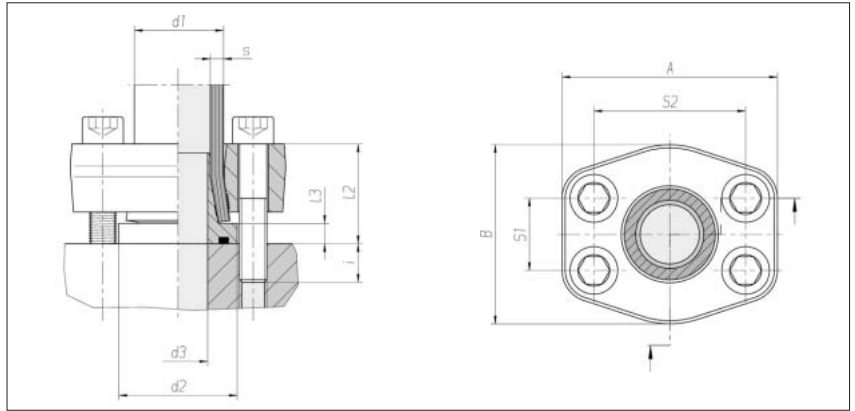


Tube-to-port flange couplings ZAKO system

Hole pattern according to
SAE J 518 C / ISO 6162
Standard series
(3000 psi)

Max. permissible operating
pressure (PB) 250 bar¹⁾



Flange size	Tube d1 x s	d2	d3	l2 approx.	l3	S1	S2	A	B	i approx.	4 x cheese head screw.	Nm*	kg/100 approx.	Order No. complete	Order No. ***
1/2"	16 x 2	30	10.5	32	8	17.5	38.1	55	45	13	M 8 x 45	35	43.9	0 5 13 00 19 00**	0 5 13 00 19 86
1/2"	16 x 2.5	30	9.5	32	8	17.5	38.1	55	45	13	M 8 x 45	35	43.9	0 5 13 01 19 00	0 5 13 01 19 86
1/2"	16 x 3	30	8.5	32	8	17.5	38.1	55	45	13	M 8 x 45	35	43.9	0 5 13 29 19 00	0 5 13 29 19 86
3/4"	20 x 2.5	38	13.5	32	8	22.2	47.6	65	50	13	M 10 x 45	69	54.7	0 5 13 02 19 00	0 5 13 02 19 86
3/4"	20 x 3	38	12.5	32	8	22.2	47.6	65	50	13	M 10 x 45	69	54.8	0 5 13 03 19 00	0 5 13 03 19 86
3/4"	20 x 3.5	38	11	32	8	22.2	47.6	65	50	13	M 10 x 45	69	55.0	0 5 13 21 19 00	0 5 13 21 19 86
3/4"	25 x 3	38	17	32.5	8.5	22.2	47.6	65	50	12.5	M 10 x 45	69	66.9	0 5 13 04 19 00	0 5 13 04 19 86
3/4"	25 x 4	38	15	32.5	8.5	22.2	47.6	65	50	12.5	M 10 x 45	69	67.3	0 5 13 22 19 00	0 5 13 22 19 86
1"	30 x 4	46	20	42.5	8.5	26.2	52.4	72	60	12.5	M 10 x 50	69	80.1	0 5 13 05 19 00	0 5 13 05 19 86
1"	30 x 5	46	17	42.5	8.5	26.2	52.4	72	60	12.5	M 10 x 50	69	81.3	0 5 13 25 19 00	0 5 13 25 19 86
1 1/4"	38 x 4	52	28	44	9	30.2	58.7	79	73	16	M 12 x 60	120	106.7	0 5 13 06 19 00	0 5 13 06 19 86
1 1/4"	38 x 5	52	26	44	9	30.2	58.7	79	73	16	M 12 x 60	120	107.2	0 5 13 07 19 00	0 5 13 07 19 86
1 1/4"	38 x 6	52	23	44	9	30.2	58.7	79	73	16	M 12 x 60	120	107.3	0 5 13 28 19 00	0 5 13 28 19 86
1 1/4"	42 x 2	52	34	44	9	30.2	58.7	79	73	16	M 10 x 60	69	80.1	0 5 13 16 19 00	0 5 13 16 19 86
1 1/2"	50 x 2.5	63	42	46	10	35.7	69.9	94	83	14	M 12 x 60	120	136.3	0 5 13 08 19 00	0 5 13 08 19 86
1 1/2"	50 x 5	63	37	46	10	35.7	69.9	94	83	14	M 12 x 60	120	136.9	0 5 13 09 19 00	0 5 13 09 19 86
1 1/2"	50 x 6	63	35	46	10	35.7	69.9	94	83	14	M 12 x 60	120	136.8	0 5 13 10 19 00	0 5 13 10 19 86
1 1/2"	50 x 8	63	31	46	10	35.7	69.9	94	83	14	M 12 x 60	120	140.0	0 5 13 20 19 00	0 5 13 20 19 86
2"	65 x 3	75	55	60	11	42.9	77.8	102	97	15	M 12 x 75	120	189.0	0 5 13 11 19 00	0 5 13 11 19 86
2"	65 x 4	75	54	60	11	42.9	77.8	102	97	15	M 12 x 75	120	183.0	0 5 13 12 19 00	0 5 13 12 19 86
2"	65 x 5	75	52	60	11	42.9	77.8	102	97	15	M 12 x 75	120	186.3	0 5 13 13 19 00	0 5 13 13 19 86
3"	80 x 3	100	71	66	16	61.9	106.4	135	131	24	M 16 x 90	295	405.6	0 5 13 14 19 00	0 5 13 14 19 86

When selecting the tube dimensions, refer to the pressure specifications of the tube manufacturer.

¹⁾ According to the ASME Code, a reduced operating pressure applies for the flange sizes 2" and 3"

* Recommended tightening torques (Nm max.) at 10.9

** Sample product code, see: FE-1620-8/3
*** without screws